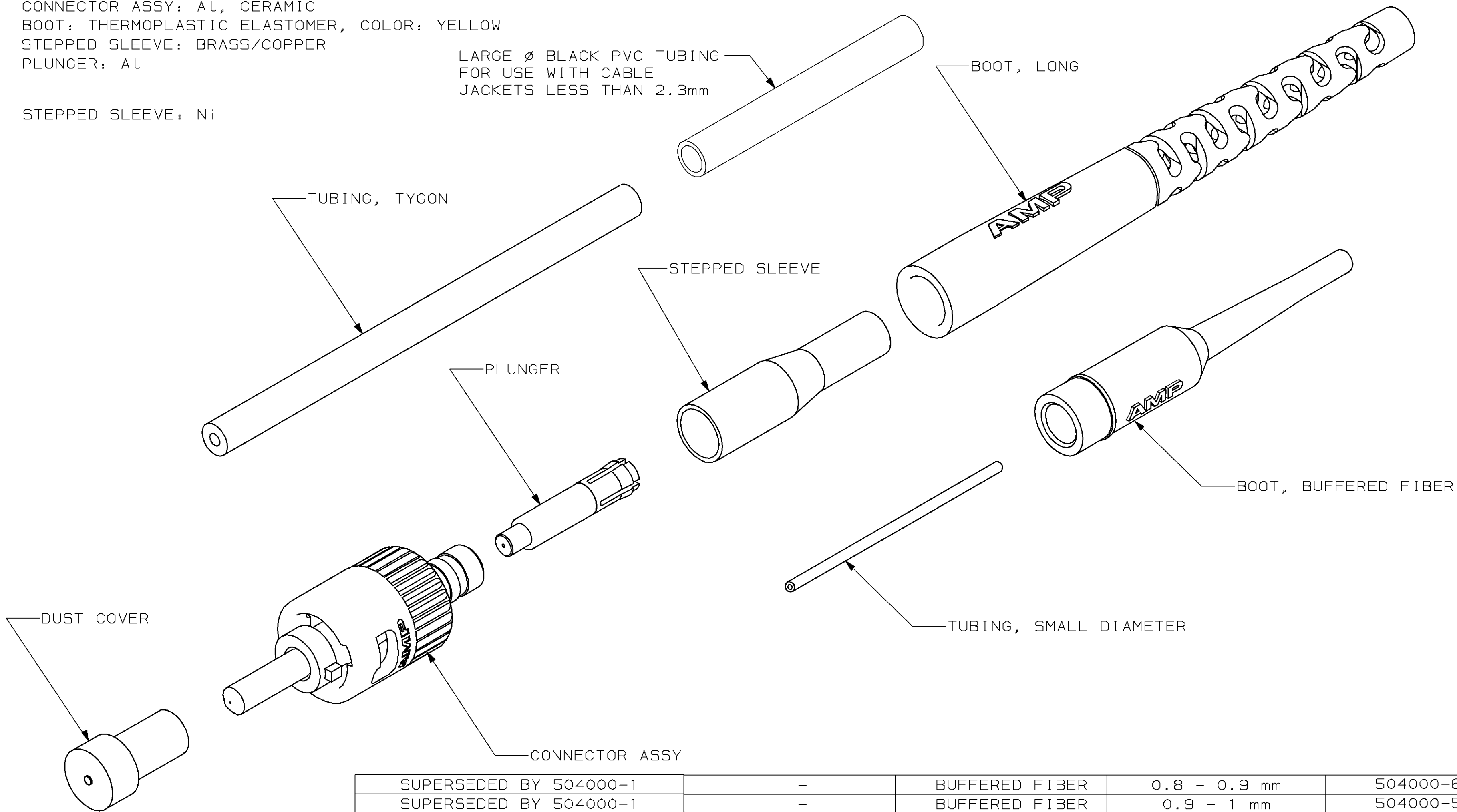


LOC	DIST	P	F	ZONE	LTR	DESCRIPTION	DATE	APPD
CE	16				H	REV PER 0A00-0296-97	6-23-97	DDE

- ① CONNECTOR ASSY: AL, CERAMIC  
 BOOT: THERMOPLASTIC ELASTOMER, COLOR: YELLOW  
 STEPPED SLEEVE: BRASS/COPPER  
 PLUNGER: AL
- ② STEPPED SLEEVE: Ni

LARGE Ø BLACK PVC TUBING FOR USE WITH CABLE JACKETS LESS THAN 2.3mm



SUPERSEDED BY 504000-1	-	BUFFERED FIBER	0.8 - 0.9 mm	504000-6
SUPERSEDED BY 504000-1	-	BUFFERED FIBER	0.9 - 1 mm	504000-5
OBSOLETE	STEPPED SLEEVE	LONG	500µm	504000-4
SUPERSEDED BY 504000-1	-	BUFFERED FIBER	250µm	504000-3
SUPERSEDED BY 504000-1	STEPPED SLEEVE	LONG	0.8 - 0.9 mm	504000-2
SUPERSEDED BY 504000-1	STEPPED SLEEVE	BUFFERED/LONG	250µm/ 0.8 - 1.0 mm	504000-1
	CRIMP SLEEVE	BOOT TYPE	BUFFER SIZE	PART NO

DO NOT SCALE PRINT. UNLESS SPECIFIED DIMENSIONS IN mm [INCHES] TOLERANCES ON :  
 2 PLC DEC ± -  
 3 PLC DEC ± -  
 ANGLES ± -

DR 8-29-92 D ERDMAN	NAME <b>KIT, CONNECTOR, 125µm 2.5mm BAYONET, XTC SINGLEMODE</b>
CHK 8-29-92 B EDWARDS	
APPD 9-21-92 S GRINDERSLEV	
APPD 8-29-92 K MONROE	
MATERIAL	PRODUCT SPEC
FINISH	APPLICATION SPEC
WEIGHT	SCALE

<b>AMP</b> AMP Incorporated Harrisburg, PA 17105-3608		
SIZE	CAGE CODE	DRAWING NO
①	00779	①=504000
SHEET	1 OF 1	

THIS DRAWING IS A CONTROLLED DOCUMENT FOR AMP INCORPORATED. IT IS SUBJECT TO CHANGE AND THE CONTROLLING ENGINEERING ORGANIZATION SHOULD BE CONTACTED FOR THE LATEST REVISION.